

CENTRALPNEUMATIC®

12 VOLT HIGH VOLUME 100 PSI AIR COMPRESSOR

Model 96068

SET UP AND OPERATING INSTRUCTIONS



Visit our website at: <http://www.harborfreight.com>



**Read this material before using this product.
Failure to do so can result in serious injury.
SAVE THIS MANUAL.**

Copyright© 2007 by Harbor Freight Tools®. All rights reserved. No portion of this manual or any artwork contained herein may be reproduced in any shape or form without the express written consent of Harbor Freight Tools. Diagrams within this manual may not be drawn proportionally. Due to continuing improvements, actual product may differ slightly from the product described herein. Tools required for assembly and service may not be included.

For technical questions or replacement parts, please call 1-800-444-3353.

SPECIFICATIONS

| | |
|---------------------------------|--|
| Electrical Requirements | 12 VDC / 14 Amps Power Cord Type: 18 AWG x 2 C x 121" Long Power Plug Type: Cigarette Lighter Adapter Plug Fuse Type: 15 Amp/250V Power Switch Type: ON/OFF Rocker Button Equipped with Overload Protection |
| Maximum Working Pressure | 100 PSI |
| Pump Style | Single Cylinder |
| Maximum Continuous Working Time | 12 Minutes |
| Recommended ON/OFF Cycle Time | 12 Minutes On / 30 Minutes Off |
| Air Gauge | 0 to 100 PSI / 0 to 7 kg/cm ² |
| Air Flow Capacity | 0.88 GP/Minute (25 L/Minute) |
| Air Hose Diameter | 5/16" |
| Overall Dimensions | 6-5/8" L x 2.83" W x 5-1/4" H |
| Weight | 3.5 Lb. |

SAVE THIS MANUAL

You will need this manual for the safety warnings and precautions, assembly, operating, inspection, maintenance and cleaning procedures, parts list and assembly diagram. Keep your invoice with this manual. Write the invoice number on the inside of the front cover. Keep this manual and invoice in a safe and dry place for future reference.

GENERAL SAFETY RULES AND PRECAUTIONS


 **WARNING!**

READ AND UNDERSTAND ALL INSTRUCTIONS
Failure to follow all instructions listed below may result in
electric shock, fire, and/or serious injury.
SAVE THESE INSTRUCTIONS

WORK AREA

1. **Keep your work area clean and well lit.** Cluttered benches and dark areas invite accidents.
2. **Do not operate air compressors in explosive atmospheres, such as in the presence of flammable liquids, gases, or dust.** Air Compressors create sparks which may ignite the dust or fumes.
3. **Keep bystanders, children, and visitors away while operating an air tool.** Distractions can cause you to lose control. Protect others in the work area from debris such as chips and sparks. Provide barriers or shields as needed. Children should not be allowed in the work area.

PERSONAL SAFETY

1. **Stay alert. Watch what you are doing, and use common sense when operating an air tool. Do not use an air tool while tired or under the influence of drugs, alcohol, or medication.** A moment of inattention while operating air tools may result in serious personal injury.
2. **Dress properly. Do not wear loose clothing or jewelry. Contain long hair. Keep your hair, clothing, and gloves away from moving parts.** Loose clothes, jewelry, or long hair can be caught in moving parts.
3. **Avoid accidental starting. Be sure the Power Switch (4) is in its “OFF” position, all pressure is safely released, and the unit is unplugged before moving the Compressor and before performing any service, maintenance, or cleaning procedures on the unit.**
4. **Remove adjusting keys or wrenches before turning the Compressor on.** A wrench or a key that is left attached to a rotating part of the machine may result in personal injury.
5. **Do not overreach. Keep proper footing and balance at all times.** Proper footing and balance enables better control of the air tool in unexpected situations.
6.  **Use safety equipment. Always wear eye protection.** Always wear ANSI-approved safety impact goggles and heavy duty safety gloves during use.

TOOL USE AND CARE

1. **Do not force the tool. Use the correct tool for your application.** The correct tool will do the job better and safer at the rate for which it is designed.
2. **Do not use the Compressor if the Compressor’s Power Switch (4) does not turn it on or off.** Any tool that cannot be controlled with its Power Switch is dangerous and must be replaced.
3. **Store idle tools out of reach of children and other untrained persons.** Tools are dangerous in the hands of untrained users.
4. **Maintain tools with care.** Properly maintained tools are less likely to bind and are easier to control. Do not use a damaged tool. Tag damaged tools **“Do not use”** until repaired.
5. **Check for misalignment or binding of moving parts, breakage of parts, and any other condition that may affect the tool’s operation. If damaged, have the tool serviced before using.** Many accidents are caused by poorly maintained tools.
6. **Use only accessories that are recommended by the manufacturer for your model.** Accessories that may be suitable for one tool may become hazardous when used on another tool.

SERVICE

1. **Tool service must be performed only by qualified repair personnel.** Service or maintenance performed by unqualified personnel could result in a risk of injury.
2. **When servicing a tool, use only identical replacement parts. Follow instructions in the “Inspection, Maintenance, And Cleaning” section of this manual.** Use of unauthorized parts or failure to follow maintenance instructions may create a risk of electric shock or injury.

SPECIFIC SAFETY RULES AND PRECAUTIONS

1. **CAUTION! Your Warranty is voided if:**
 - a. **You drop the Air Compressor.** Always lift the Air Compressor using its Handle (52).
2. **DANGER! This Air Compressor is NOT equipped and should not be used “as-is” to supply breathing air.** For any application of air for human consumption, you must fit the Air Compressor with suitable in-line safety and alarm equipment (not included). This additional equipment is necessary to properly filter and purify the air to meet minimal specifications for Grade D breathing as described in Compressed Gas Association Commodity Specification G 7.1-1966, OSHA 29 CFR 1910. 134, and/or Canadian Standards Associations (CSA). In the event the Air Compressor is used for the purpose of breathing air application and proper in-line safety and alarm equipment is not simultaneously used, existing warranties are void, and Harbor Freight Tools disclaims any liability whatsoever for any loss, personal injury, or damage.
3. **Maintain labels and nameplates on the Air Compressor.** These carry important information. If unreadable or missing, contact Harbor Freight Tools for a replacement.
4. **Always use a tire pressure gauge to check the actual pressure in the item inflated.**
5. **Do not use this Compressor continuously for over 12 minutes.** Allow the Compressor to cool approximately **30 minutes** after inflating an item.
6. **Make sure all inflatable items used with the Air Compressor are inflated to the appropriate capacity.** Do not inflate any item over or under its manufacturer’s recommended PSI rating.
7. **Inflatable items constructed of soft materials** (balls, beach toys, air mattresses, rubber rafts, etc.) usually will not show the manufacturer’s recommended air pressure. Take care not to over-inflate the object.
8. **Avoid burns.** After several minutes of use, the Compressor will become hot to the touch. Always wear heavy duty safety gloves when using the Compressor.

9. **Avoid injury.** Never direct the Air Nozzle (57) at people or animals.
10. **Make sure the Air Compressor is located on a flat, level, sturdy surface capable of supporting the weight of the Compressor and any additional tools and equipment.**
11. **Industrial applications must follow OSHA guidelines.**
12. **Never leave the Air Compressor unattended when it is plugged in and running.** Turn off the Compressor, and unplug the unit before leaving.
13. **Do not allow children and other unauthorized people to handle or play with the Air Compressor.**
14. **Do not modify the factory set pressure shutoff or startup switches.** This tool will do the work better and safer at the speed and capacity for which it was designed.
15. **Never point the Air Nozzle (57) at people or animals.**
16. **⚠ WARNING!** The brass components of this product contain lead, a chemical known to the State of California to cause birth defects (or other reproductive harm). (California Health & Safety code § 25249.5, et seq.)
17. **⚠ WARNING!** People with pacemakers should consult their physician(s) before use. Electromagnetic fields in close proximity to heart pacemaker could cause pacemaker interference or pacemaker failure.
18. **⚠ WARNING!** The warnings and precautions discussed in this manual cannot cover all possible conditions and situations that may occur. It must be understood by the operator that common sense and caution are factors which cannot be built into this product, but must be supplied by the operator.

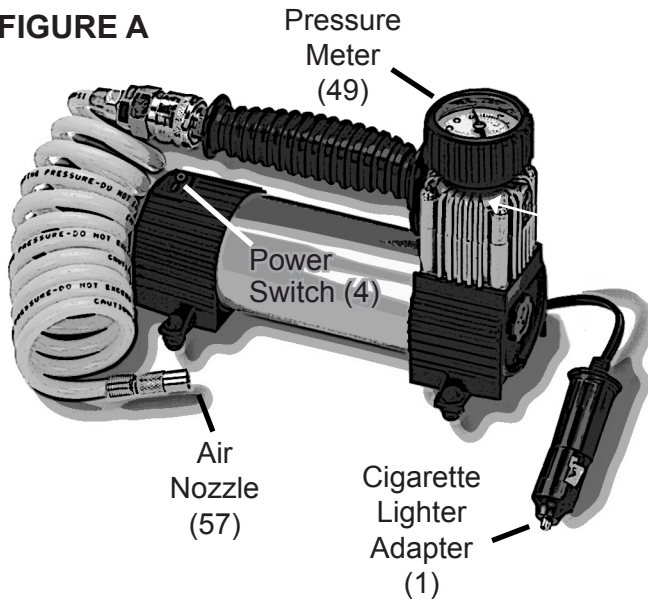
SAVE THESE INSTRUCTIONS

UNPACKING

When unpacking, check to make sure all parts shown on the Parts List are included. If any parts are missing or broken, please call Harbor Freight Tools at the number shown on the cover of this manual (and at the bottom of each page) as soon as possible.

OPERATING INSTRUCTIONS

FIGURE A



To Inflate Automotive Tires:

1. Place the Air Compressor on a flat, level, dry surface.
2. Remove the valve cap from the valve stem of a tire. Thread on the Air Nozzle (57) to the tire stem. (See **Figure B.**)

FIGURE B



3. Plug the Cigarette Lighter Adapter (1) into the vehicle's cigarette lighter socket. (See **Figure C.**)

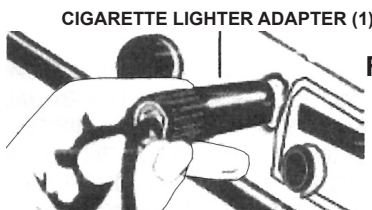


FIGURE C

Caution: Always start the vehicle's

engine prior to operating the Air Compressor so as to not deplete the vehicle's battery.

4. Turn the Air Compressor's Power Switch (4) to its "ON" position. (See **Figure D.**)

FIGURE D



5. The Pressure Meter (49) is located on top of the Air Compressor. The maximum air pressure this unit will produce is 100 PSI. **Do not inflate the air pressure beyond the tire manufacturer's inflation rating.** To obtain an accurate air pressure reading, turn off the Air Compressor when the desired pressure is indicated on the gauge. (See **Figure A.**)
6. When finished, turn the Power Switch (4) to its "OFF" position. Remove the Air Nozzle (57) from the vehicle's tire valve stem. Replace the valve cap. Then, disconnect the Cigarette Lighter Adapter (1) from the vehicle's cigarette lighter socket.

To Inflate Balls, Toys, Air Mattresses, Rubber Rafts, Etc.:

1. The compressor comes with three nozzles for inflating a variety of items. Thread on the desired nozzle onto the Air Nozzle (57). Insert the nozzle into the item you want to inflate then turn on the Air Compressor, and inflate the object. **Do not over-inflate.**
2. When finished, turn the Power Switch (4) to its “OFF” position. Remove the nozzle from the inflated object. Then, disconnect the Cigarette Lighter Adapter (1) from the vehicle’s cigarette lighter socket. **(See Figures A and B)**

INSPECTION, MAINTENANCE, AND CLEANING

1. **⚠ WARNING!** Make sure the Power Switch (4) of the Air Compressor is in its “OFF” position and the unit is unplugged from the vehicle’s cigarette lighter socket before performing any inspection, maintenance, or cleaning procedures.
2. **Before each use**, inspect the general condition of the Air Compressor. Check for loose screws, misalignment or binding of moving parts, cracked or broken parts, damaged electrical wiring, loose air fittings, and any other condition that may affect the safe operation of the Compressor. If abnormal noise or vibration occurs, have the problem corrected before further use. **Do not use damaged equipment.**
3. **To clean**, wipe with a clean, damp cloth and a mild detergent. Then dry. Do not use solvents. Do not immerse the unit in liquids.
4. **To replace the Fuse (58)**, unscrew and remove the cap on the Cigarette Lighter Adapter (1). Remove the old Fuse, and replace with a new Fuse (type: 15 Amp). Then, screw the cap back onto the Cigarette Lighter Adapter. **(See Figure C)**



5. **⚠ CAUTION!** All maintenance, service, or repairs not mentioned in this manual must only be performed by a qualified service technician.

TROUBLESHOOTING

| Problem | Possible Cause | Possible Solution |
|----------------------------|---|---|
| Compressor will not start. | <ol style="list-style-type: none"> 1. Cigarette Lighter Adapter (1) not securely inserted in vehicle's cigarette lighter socket. 2. Power Switch (4) not on. 3. Vehicle battery not fully charged. 4. Blown Compressor Fuse. 5. Blown automotive fuse. | <ol style="list-style-type: none"> 1. Insert Cigarette Lighter Adapter (1) securely. 2. Turn Power Switch (4) ON. 3. Charge vehicle battery. 4. Replace Fuse. 5. Check automotive manual and replace blown fuse. |
| Low pressure. | <ol style="list-style-type: none"> 1. Loose connection(s). | <ol style="list-style-type: none"> 1. Make sure all connections are tight. |
| Overload Protector trips. | <ol style="list-style-type: none"> 1. Continuous use too long. | <ol style="list-style-type: none"> 1. Do not use unit continuously for over 12 minutes. Allow 30 minutes for unit to cool down after each use. |

PARTS LIST

| Part | Description | Part | Description | Part | Description |
|------|---------------------------|------|-------------------------|------|---------------------------|
| 1 | Cigarette Lighter Adapter | 21 | Bearing (608Z) | 41 | Seal Ring |
| 2 | Cord | 22 | End Cover | 42 | Air Exhaust Slice |
| 3 | Screw (3 x 25) | 23 | Inner Hex Screw (4 x 8) | 43 | Rivet |
| 4 | Power Switch | 24 | Shockproof Pad | 44 | Seal Ring |
| 5 | Rear Cover | 25 | Air Intake Cover | 45 | Cylinder Cover |
| 6 | Shockproof Pad | 26 | Filter Mesh | 46 | Spring Washer (4mm) |
| 7 | Connection Cap | 27 | Screw (3 x 10) | 47 | Screw (4 x 35) |
| 8 | Screw (4 x 102) | 28 | Front Cover | 48 | Support Ring |
| 9 | Spring Washer (4mm) | 29 | Offset Shaft | 49 | Pressure Meter |
| 10 | Washer (4mm) | 30 | Offset Wheel | 50 | Protective Sleeve |
| 11 | Cord Sleeve | 31 | Bearing (626Z) | 51 | Air Outlet Tube (8 x 114) |
| 12 | Overload Protector | 32 | Crank | 52 | Handle |
| 13 | Connection Wire | 33 | Piston Ring | 53 | Air Outlet |
| 14 | Motor Rear Cover | 34 | Press Ring | 54 | Quick Connector |
| 15 | Brush Holder | 35 | Air Intake Slice | 55 | Air Hose (8 x 1500) |
| 16 | Motor Housing | 36 | Rivet | 56 | Lock Spring |
| 17 | Bearing (608Z) | 37 | Cylinder Liner | 57 | Air Nozzle |
| 18 | Spring Washer | 38 | Radiation Cover | 58 | Glass Fuse (15 Amp) |
| 19 | Rotor | 39 | Seal Ring | 59 | Needle Nozzle |
| 20 | Spring Washer | 40 | Cover | 60 | (2) Inflator Nozzle |

NOTE:

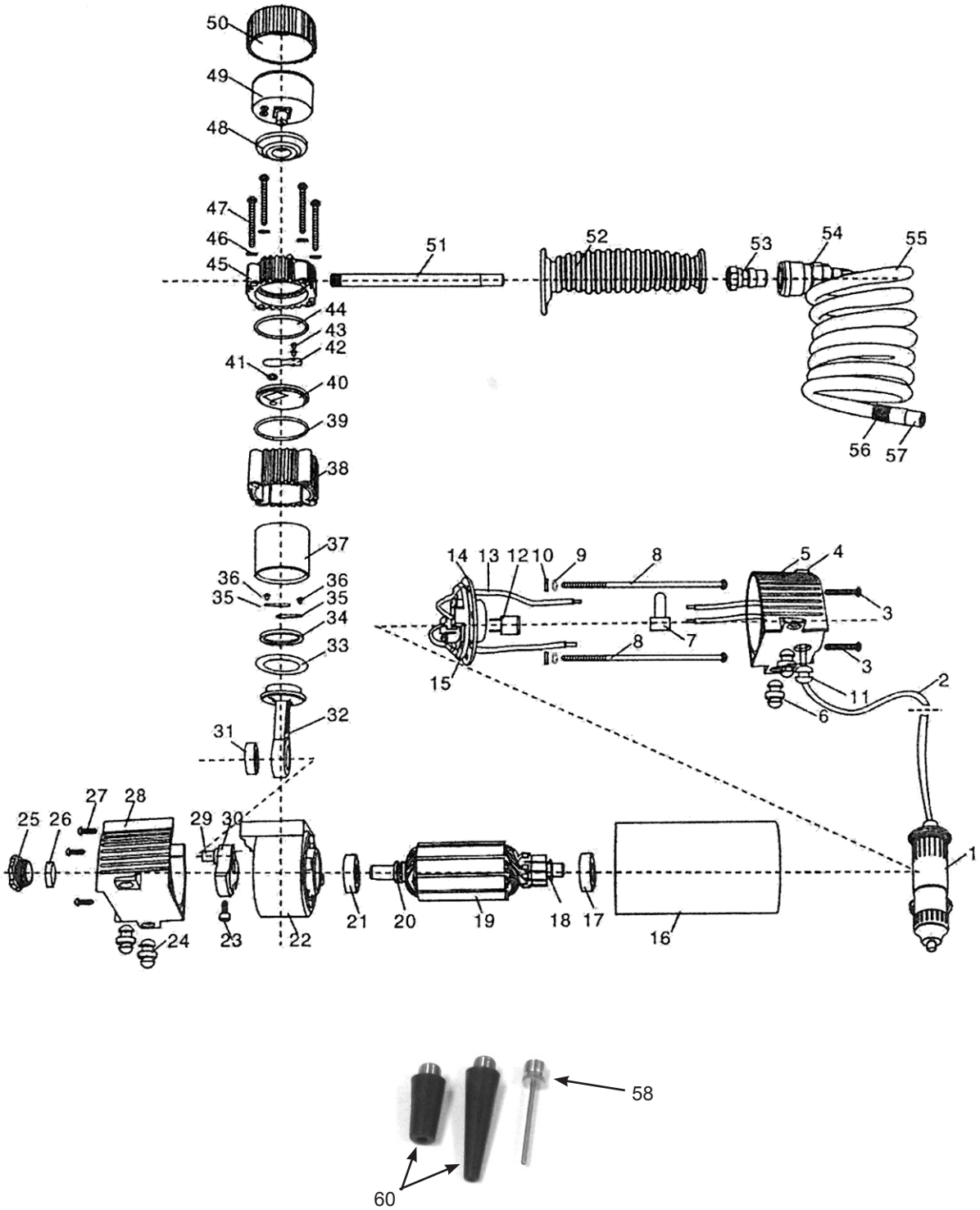
Some parts are listed and shown for illustration purposes only, and are not available individually as replacement parts.

PLEASE READ THE FOLLOWING CAREFULLY

THE MANUFACTURER AND/OR DISTRIBUTOR HAS PROVIDED THE PARTS LIST AND ASSEMBLY DIAGRAM IN THIS MANUAL AS A REFERENCE TOOL ONLY. NEITHER THE MANUFACTURER OR DISTRIBUTOR MAKES ANY REPRESENTATION OR WARRANTY OF ANY KIND TO THE BUYER THAT HE OR SHE IS QUALIFIED TO REPLACE ANY PARTS OF THE PRODUCT. IN FACT, THE MANUFACTURER AND/OR DISTRIBUTOR EXPRESSLY STATES THAT ALL REPAIRS AND PARTS REPLACEMENTS SHOULD BE UNDERTAKEN BY CERTIFIED AND LICENSED TECHNICIANS, AND NOT BY THE BUYER. THE BUYER ASSUMES ALL RISKS AND LIABILITY ARISING OUT OF HIS OR HER REPAIRS TO THE ORIGINAL PRODUCT OR REPLACEMENT PARTS THERETO, OR ARISING OUT OF HIS OR HER INSTALLATION OF REPLACEMENT PARTS THERETO.

REV 10g

ASSEMBLY DIAGRAM



NOTE:

Some parts are listed and shown for illustration purposes only, and are not available individually as replacement parts.

LIMITED 1 YEAR / 90 DAY WARRANTY

Harbor Freight Tools Co. makes every effort to assure that its products meet high quality and durability standards, and warrants to the original purchaser that for a period of one year from date of purchase that the tank is free of defects in materials and workmanship (90 days if used by a professional contractor or if used as rental equipment). Harbor Freight Tools also warrants to the original purchaser, for a period of ninety days from date of purchase, that all other parts and components of the product are free from defects in materials and workmanship. This warranty does not apply to damage due directly or indirectly to misuse, abuse, negligence or accidents, repairs or alterations outside our facilities, normal wear and tear, or to lack of maintenance. We shall in no event be liable for death, injuries to persons or property, or for incidental, contingent, special or consequential damages arising from the use of our product. Some states do not allow the exclusion or limitation of incidental or consequential damages, so the above limitation of exclusion may not apply to you. THIS WARRANTY IS EXPRESSLY IN LIEU OF ALL OTHER WARRANTIES, EXPRESS OR IMPLIED, INCLUDING THE WARRANTIES OF MERCHANTABILITY AND FITNESS.

To take advantage of this warranty, the product or part must be returned to us with transportation charges prepaid. Proof of purchase date and an explanation of the complaint must accompany the merchandise. If our inspection verifies the defect, we will either repair or replace the product at our election or we may elect to refund the purchase price if we cannot readily and quickly provide you with a replacement. We will return repaired products at our expense, but if we determine there is no defect, or that the defect resulted from causes not within the scope of our warranty, then you must bear the cost of returning the product.

This warranty gives you specific legal rights and you may also have other rights which vary from state to state.

3491 Mission Oaks Blvd. • PO Box 6009 • Camarillo, CA 93011 • (800) 444-3353